

# CHART PLOTTER

## NES-3007G/NES-3010G

NSR's new generation of Chart Plotter:

- Chart + AIS Display + GNSS Navigator, 3 in 1
- Meet the IMO regulation and IEC standards
- Touch screen operation
- Android system
- Easy to upgrade



7" PLOTTER



10.1" PLOTTER

- NES-3007G/NES-3010G is designed for vessel navigational aid, which can work together with AIS, to provide GNSS navigator aid and AIS presentation, and also can work alone as a GNSS navigator.
- NES-3007G/NES-3010G conforms to the international standards, such as IMO MSC.112 (73), IEC 60945, IEC 61108-1, IEC 61162-1 etc.



## SPECIFICATIONS

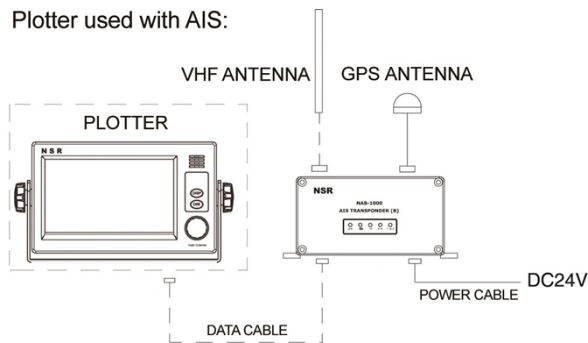
- OS: Android
- LCD DISPLAY: Touch screen operation
  - Size: 7 inch (NES-3007G) or 10.1 inch (NES-3010G)
  - Resolution: 1024×600 (NES-3007G)  
1280×800 (NES-3010G)
- Interface: RS232×2, RS422×2, LAN×2, USB×1, HDMI×1
- Power Supply: DC 24 V (9 V ~ 36 V)
- IP Grade: IP22 (Plotter), IP66 (Antenna)

## EQUIPMENT LIST

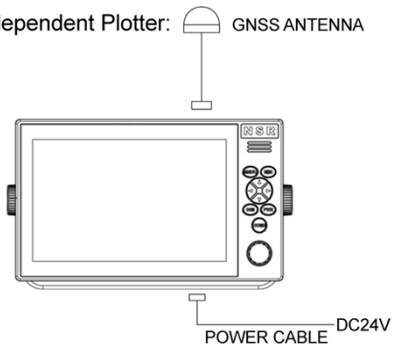
- **STANDARD (INDEPENDENT PLOTTER)**
  - NES-3007G/NES-3010G 1 pc
  - GNSS Antenna 1 pc
  - Accessories 1 set
- **STANDARD (PLOTTER USED WITH AIS)**
  - NES-3007/NES-3010 1 pc
  - Accessories 1 set
- **OPTIONS**
  - Flush Mount Bracket 1 pc

## SYSTEM DIAGRAM

Plotter used with AIS:

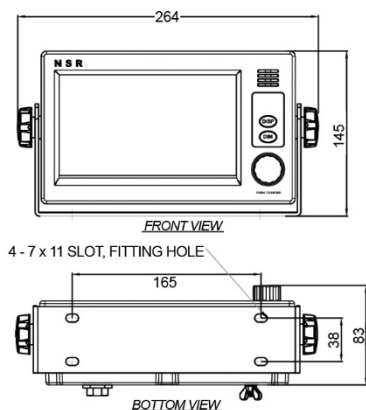


Independent Plotter: GNSS ANTENNA



## SIZE DIMENSION

7" PLOTTER



10.1" PLOTTER

