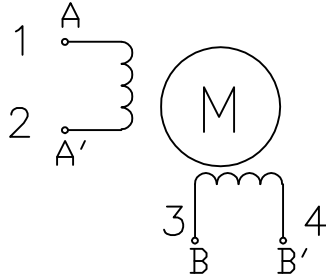


Specifications:

MODEL	PHASE	STEP ANGLE	RATED VOLTAGE	CURRENT /PHASE	RESISTANCE /PHASE	INDUCTANCE /PHASE	HOLDING TORQUE	ROTOR INERTIA	WEIGHT
		DEG /STEP	V	A	Ω	mH	N·m	$g\cdot cm^2$	Kg
	2	1.8	2.6	4.0	0.65	2.8	3.1	840	1.4

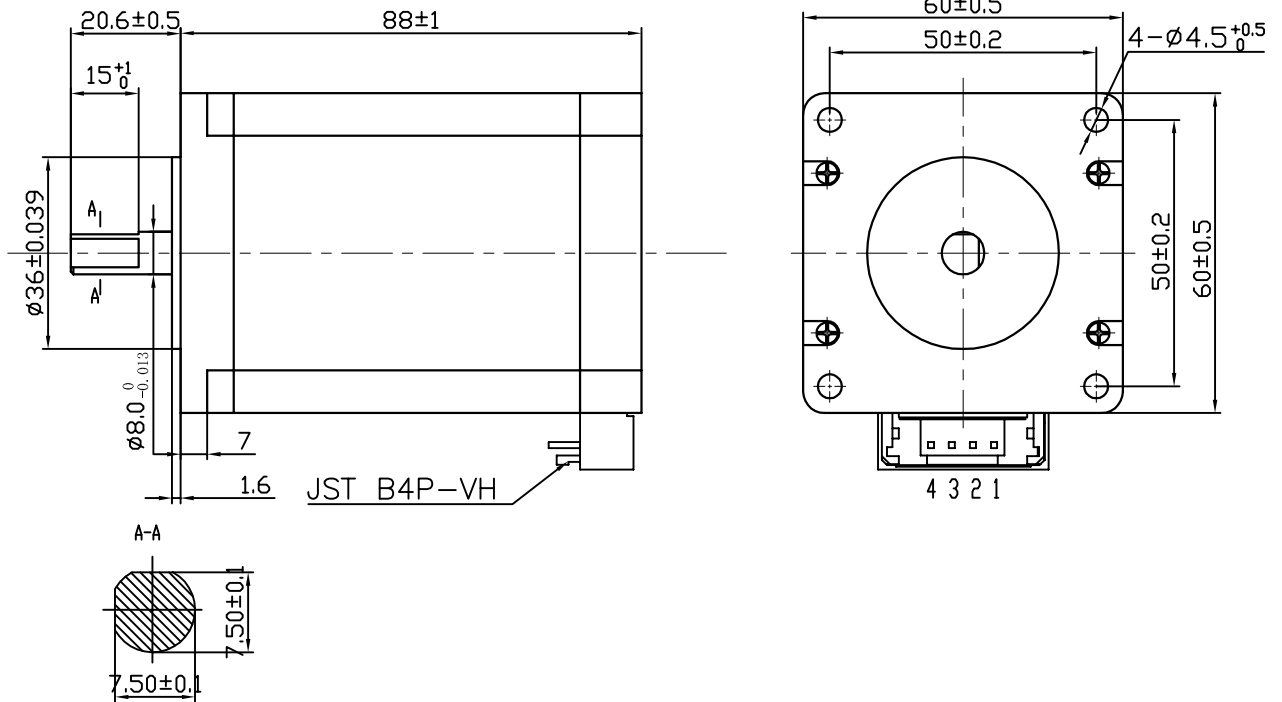
Wiring Diagram:



CW DIRECTION	STEP	A	A'	B	B'
↓	1	+		+	
	2		+	+	
	3		+		+
	4	+			+
	1	+		+	

CW SEE FROM THE FLANGE SIDE

Dimension:



PN号	名称	数量	单位	备注	PN号	名称	数量	单位	备注

DESIGN	DATE	P/N.	3.1.01.060.
GHB		TITLE	Specifications
CHECK	161219	USED ON	JD60STH86-4004AFC-50
ZYL		DWG NO.	
APPD		REV	
LN			
FIRST ANGLE PROJECTION	SCALE	JDS Motion	
	SHEET OF		

UNLESS OTHERWISE SPECIFIED
TOLERANCES:
DECIMALS: ANGULAR:
.x ±0.5 ±0°30'
.xx ±0.25
.xxx ±0.1
UNIT: mm
DO NOT SCALE DRAWING